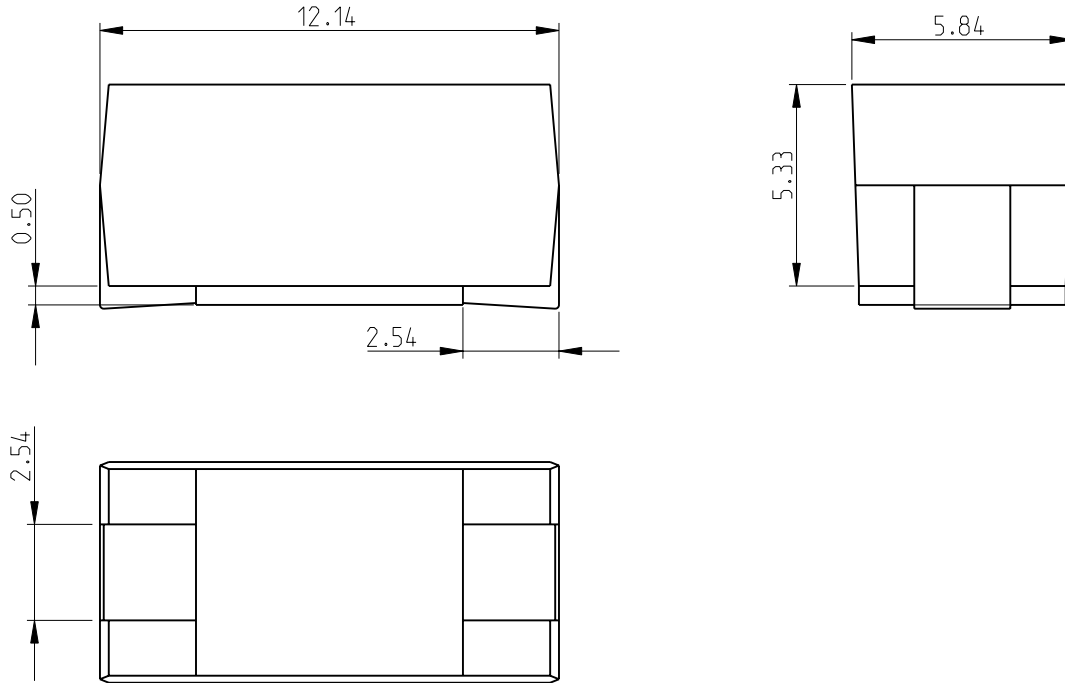
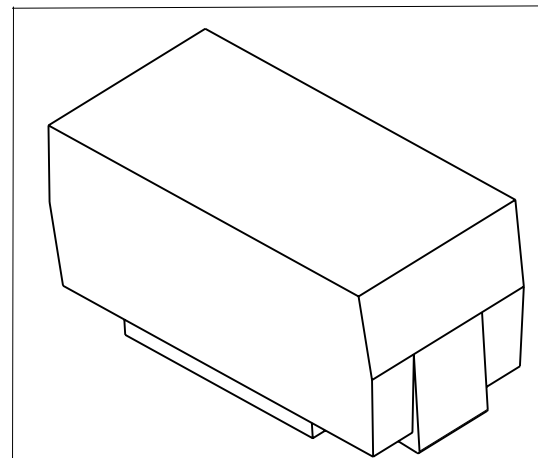
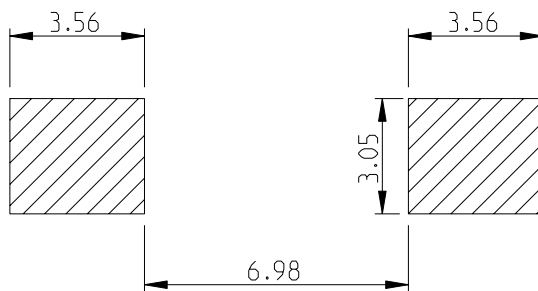


LOC	DIST	REVISIONS			
P	LTR	DESCRIPTION	DATE	DWN	APVD
E	B	BA	NEW RELEASE	12JULY2010	PT St.P

FOR FURTHER INFORMATION SEE DATA SHEET FOR  
SERIES S - SMD PRECISION CURRENT SENSE RESISTOR



RECOMMENDED LAND PATTERN



2008

RELEASED FOR PUBLICATION

THIS DRAWING IS UNPUBLISHED.

© COPYRIGHT 2008 BY TYCO ELECTRONICS CORPORATION. ALL RIGHTS RESERVED.

DIMENSIONS: mm	DWN PARUSURAM.T 12JULY2010	MATERIAL -	FINISH -
TOLERANCES UNLESS OTHERWISE SPECIFIED:	CHK ALLAN.P 12JULY2010	Tyco Electronics Corporation Dorcan, Swindon, SN3 5HH	
0 PLC ±0.2 1 PLC ±0.1 2 PLC ± 3 PLC ± 4 PLC ± ANGLES ±5°	APVD STEPHEN.P 12JULY2010		
	PRODUCT SPEC -	NAME SMD PRECISION CURRENT SENSE RESISTOR SERIES S_2	
	APPLICATION SPEC -	SIZE A 4	CAGE CODE 00779
	WEIGHT -	DRAWING NO C-1624297	RESTRICTED TO -
CUSTOMER DRAWING		SCALE 10:1	SHEET 1 OF 1
		REV BA	