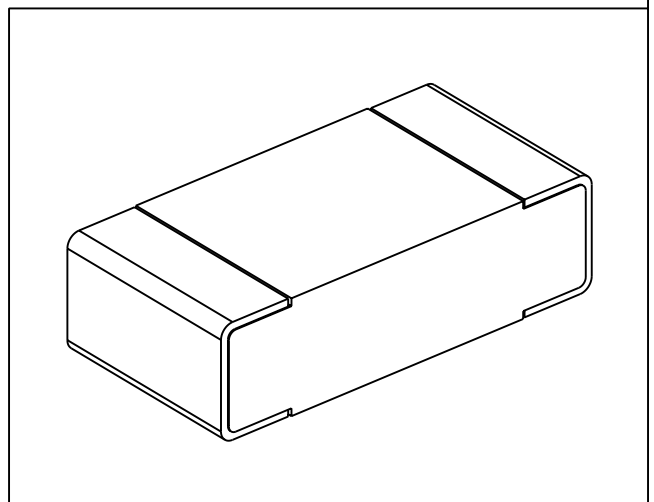
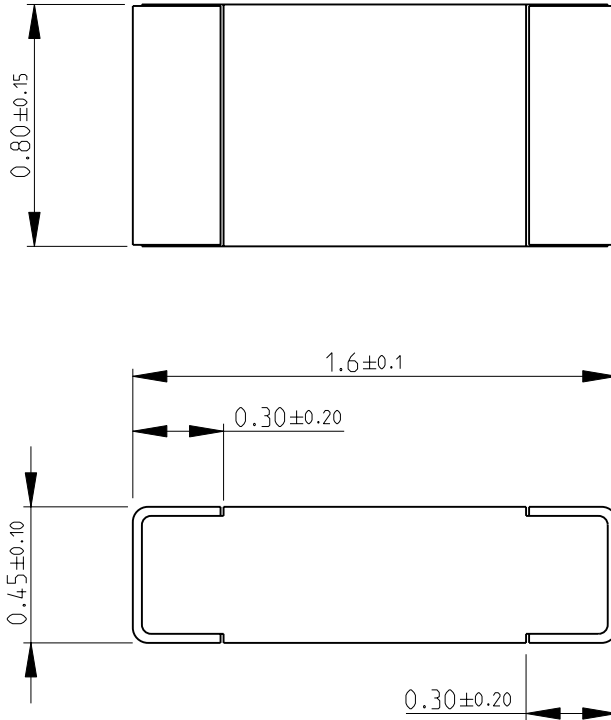


LOC	DIST	REVISIONS					
E	B	P	LTR	DESCRIPTION	DATE	DWN	APVD
			BA	NEW RELEASE	03-NOV-08	SM	St.P

FOR FURTHER INFORMATION SEE DATA SHEET FOR  
CRG SERIES-THICK FILM CHIP RESISTORS



RoHS Compliant

2008

RELEASED FOR PUBLICATION

THIS DRAWING IS UNPUBLISHED.

© COPYRIGHT 2008 BY TYCO ELECTRONICS CORPORATION. ALL RIGHTS RESERVED.

DIMENSIONS: mm	DWN	SUBHASH.M	03-NOV-08	MATERIAL	-	FINISH	-
	CHK	PRAKASH.S	03-NOV-08	Tyco Electronics Corporation Dorcan, Swindon, SN3 5HH			
TOLERANCES UNLESS OTHERWISE SPECIFIED:	APVD	STEPHEN.P	03-NOV-08				
0 PLC ±0.5	PRODUCT SPEC	NAME THICK FILM CHIP RESISTORS SERIES CRG 0603					
1 PLC ±0.2	APPLICATION SPEC						
2 PLC ±0.1	WEIGHT	SIZE CAGE CODE DRAWING NO RESTRICTED TO					
3 PLC ±-		A 4	00779	©= 1622893	-		
4 PLC ±-		CUSTOMER DRAWING					
ANGLES ±5°		SCALE 40:1				SHEET 1 OF 1	
		REV BA					