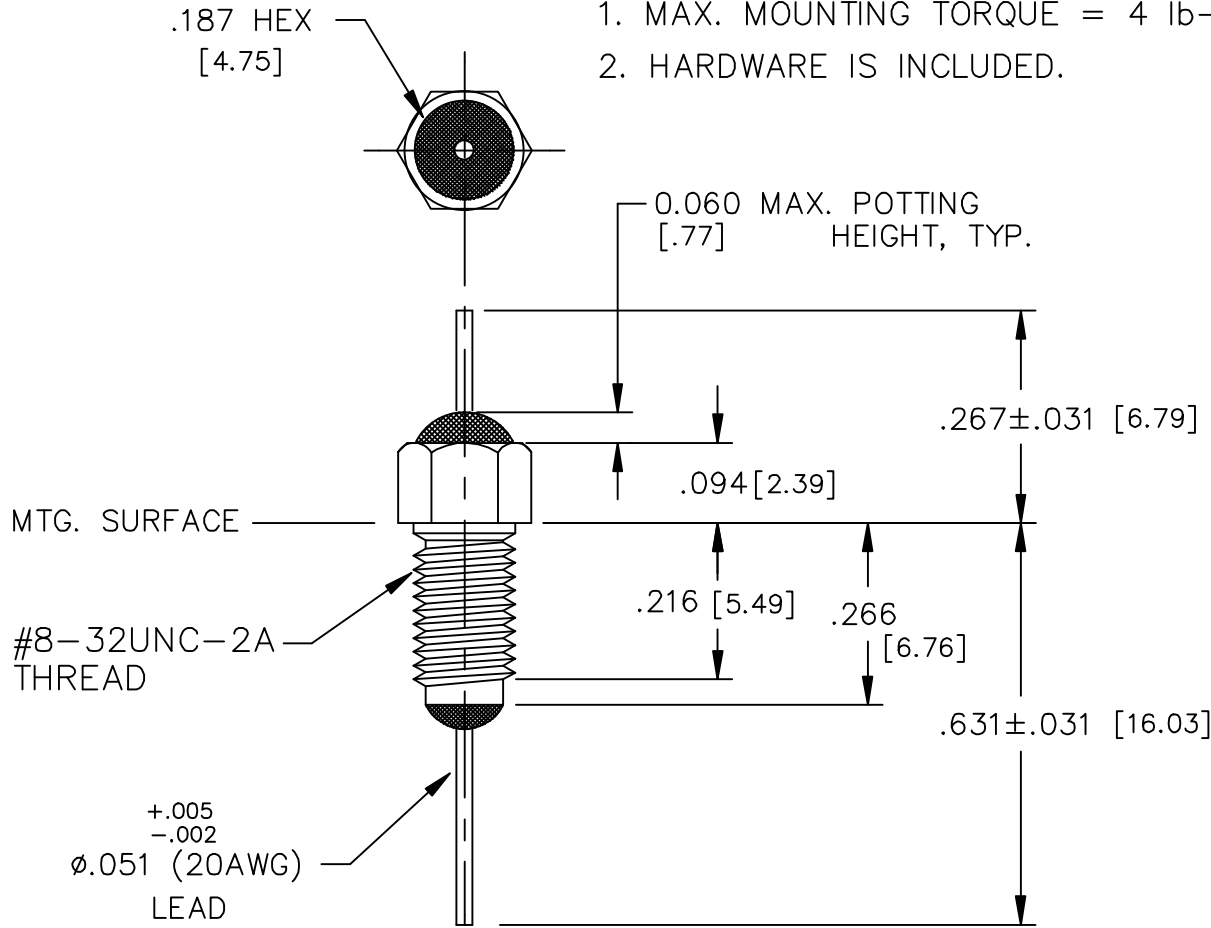
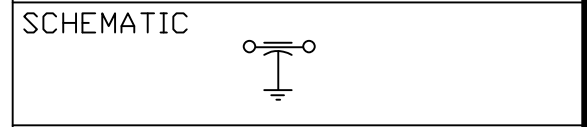


NOTES:

1. MAX. MOUNTING TORQUE = 4 lb-in.
2. HARDWARE IS INCLUDED.



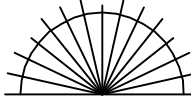
LEAD FINISH: SOLDER	
BUSHING FINISH: SILVER	
CAPACITANCE	1000pF $\begin{matrix} -0 \\ +100\% \end{matrix}$
TEMP. RANGE	-55°C TO 85°C
CURRENT	10 AMP MAX.
WORKING VOLTAGE	100 VDC -----
D.C. RESISTANCE	.01ohms MAX.
MIN. I.L. PER MIL-STD-220 AT 25°C NO LOAD	
FREQ. MHz	I.L. (db)
30	11
100	20
300	28
1 GHz	28



MARKING:
PART: S 102P

54713001X5U102P
DATE CODE
QTY./BAG
(200/BAG MAX.)

5	4	3	2	1	0	REV. NO.	TOLERANCES UNLESS OTHERWISE SPECIFIED
CN 32289-CPD REDRAWN	CN 212765	CN 199221	CN 187083	CN 186219	CN 185033	CHANGE NOTICE	Fractions ± 1/64
							Dec. .xx±
							Dec. .xxx±.010
							Angles ±0° 30'
							CODE IDENT. NO. DLSP2



FAIRVIEW PENNSYLVANIA
SPECTRUM CONTROL INC.

Dwn. SLAGLE	Description FT
DATE 12-21-06	RESIN SEAL FILTER
Engr. STRUCHEN	54713001X5U102P
Scale NONE	

