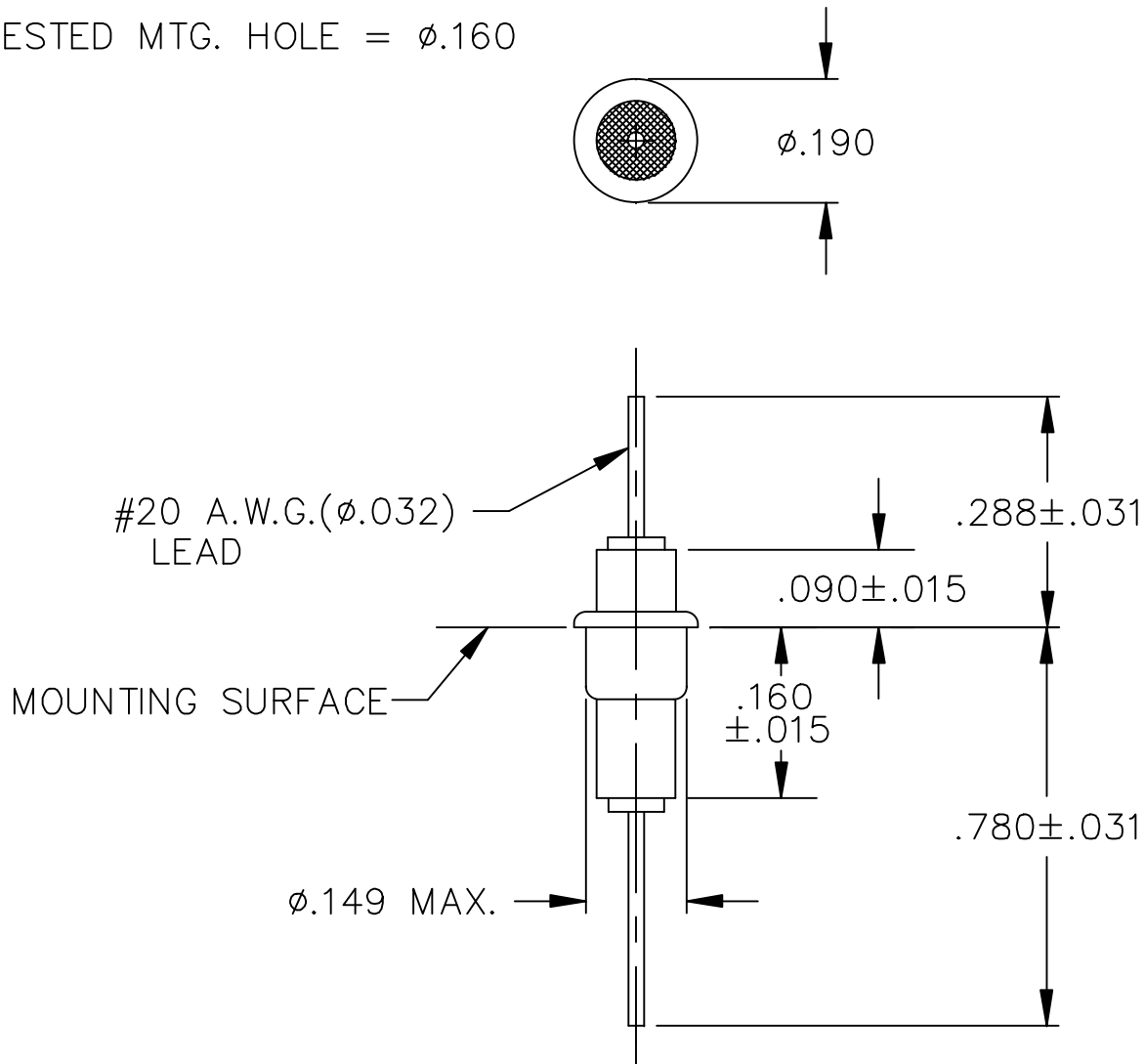


NOTE:
1. SUGGESTED MTG. HOLE = ϕ .160



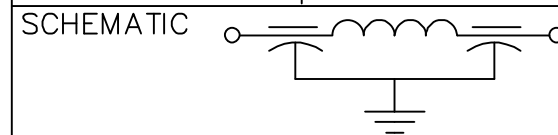
04

LEAD FINISH:	SOLDER
EYELET FINISH:	SILVER
CAPACITANCE	1750pF MIN.
TEMP. RANGE	-55°C TO 125°C
CURRENT	10 AMP MAX.
WORKING VOLTAGE	85°C: --- VDC 125°C: 200 VDC

D.C.R. = .01 Ohms MAX.

MIN. I.L. PER MIL-STD-220 @ 25 ϕ NO LOAD

FREQ. MHz	I.L. (db)
1	N/A
10	5
100	50
1 GHz	60
10GHz	70



MARKING:

PART: NONE
BAG: SCI
1214-029
DATE CODE
LOT NO.
QTY./BAG (200 MAX.)

REV. NO.	TOLERANCES UNLESS OTHERWISE SPECIFIED	api technologies corp. FAIRVIEW PENNSYLVANIA	
4	Fractions \pm 1/64	Dwn. Kauffman	Description
3	Dec. .xx \pm		
2	Dec. .xxx \pm .010	Date 7-29-16	SOLDER-IN FILTER
1	Angles \pm 0° 30'	Engr DEVINE	1214-029
0	CHANGE NOTICE	Scale N.T.S.	
CN #20899			
CN 49738-ENG			
CN 13179-CPD			
CN 169482			
CN 162125			