

NOTES:

1. SUGGESTED MOUNTING HOLE = $\phi.147 \pm .001$
2. MAXIMUM INSTALLATION TEMP.: 430°F

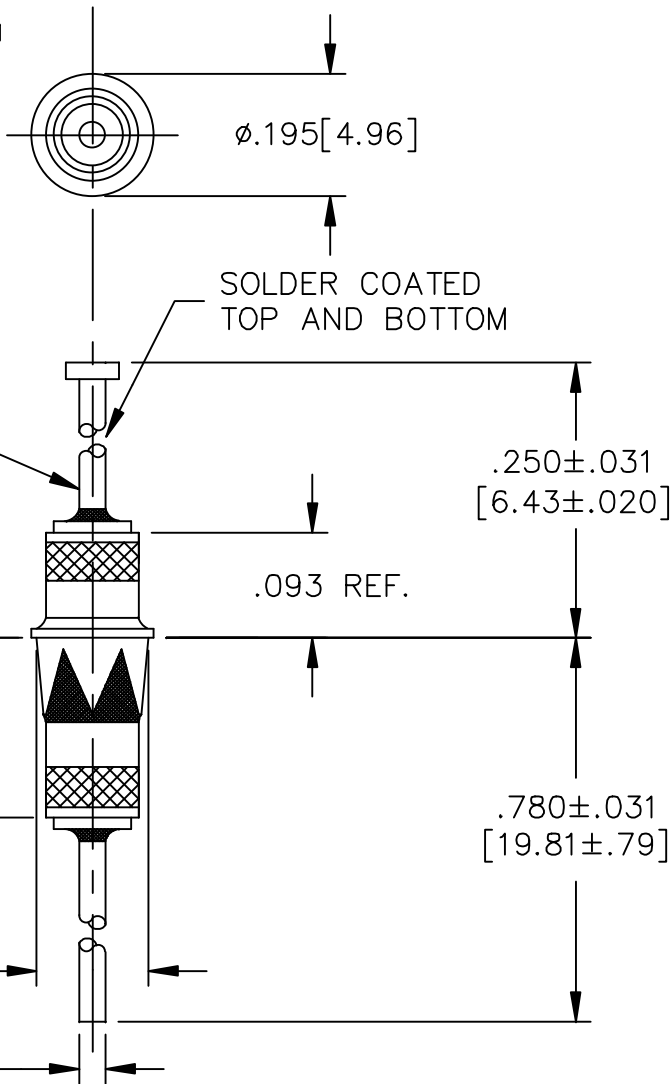
MOUNTING SURFACE

-A-

$.156 \pm .02$
[3.96 ± .50]

$.140 \pm .005$
[3.55 ± .13]

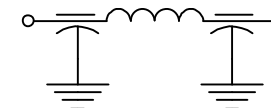
$\perp 3.5^\circ$ A



61

LEAD FINISH: SOLDER	
EYELET FINISH: SILVER	
CAPACITANCE	12nF GMV
TEMP. RANGE	-55°C TO 125°C
CURRENT	10 AMP MAX.
WORKING VOLTAGE	85°C -- VDC MAX. 125°C 70 VDC MAX.
D.C. RESISTANCE	.01ohms MAX.
MIN. I.L. PER MIL-STD-220 AT 25°C NO LOAD	
FREQ. MHz	I.L. (db)
1	5
10	25
30	50
100	70
300	70
1 GHz	70

SCHEMATIC



MARKING:

PART: NONE
BAG:

51-750-301
DATE CODE
QTY./BAG (200 MAX.)

	61	60	59	58	57	56	55	REV. NO.	TOLERANCES UNLESS OTHERWISE SPECIFIED
	CN #20104	CN 212374	CN 202767	CN 201254	CN 199316 REDRAWN	CN. 193938	CN. 184946 REDRAWN	CHANGE NOTICE	Fractions $\pm 1/64$
									Dec. .xx±
									Dec. .xxx±
									Angles $\pm 0^\circ 30'$
									CODE IDENT. NO. OLSP2

api technologies corp.

FAIRVIEW PENNSYLVANIA

Dwn. KAUFFMAN

Description

Date 5-25-16

SOLDER MNT. FILTER

Engr. B. DEVINE

Scale NONE

51-750-301