

## Solid-state relays - ST-OE3- 60DC/ 48DC/100 - 2911045

Please be informed that the data shown in this PDF Document is generated from our Online Catalog. Please find the complete data in the user's documentation. Our General Terms of Use for Downloads are valid (<http://phoenixcontact.com/download>)




Plug-in input solid-state relay, with LED and protective circuit in input and output circuits, input: 48 - 60 V DC, output: 8 - 48 V DC/max. 100 mA, can be plugged into basic terminal blocks

The illustration shows version ST-OV  
3- 5 DC/ 48 DC/100



### Key commercial data

Packing unit	1 pc
GTIN	 4 017918 079475
Weight per Piece (excluding packing)	27.55 GRM
Custom tariff number	85364190
Country of origin	Germany

### Technical data

#### Note

Utilization restriction	EMC: class A product, see manufacturer's declaration in the download area
-------------------------	---

#### Dimensions

Width	20.8 mm
Height	33 mm
Depth	66.5 mm

#### Ambient conditions

Ambient temperature (operation)	-20 °C ... 60 °C
Ambient temperature (storage/transport)	-20 °C ... 70 °C

#### Input data

Nominal input voltage $U_N$	60 V DC +10 % -28 %
-----------------------------	---------------------

## Solid-state relays - ST-OE3- 60DC/ 48DC/100 - 2911045

### Technical data

#### Input data

Switching threshold "0" signal in reference to $U_N$	$\leq 0.4$
Switching threshold "1" signal in reference to $U_N$	$\geq 0.8$
Typical input current at $U_N$	9 mA
Typical response time	50 $\mu$ s
Typical turn-off time	100 $\mu$ s
Status display	Yellow LED
Type of protection	Protection against polarity reversal
	Surge protection
Protective circuit/component	Polarity protection diode
Transmission frequency	300 Hz

#### Output data

Output voltage range	8 V DC ... 48 V DC
Limiting continuous current	100 mA
Voltage drop at max. limiting continuous current	1.2 V
Output circuit	2-conductor floating, 3-conductor ground-referenced
Type of protection	Protection against polarity reversal
	Free running
Protective circuit/component	Polarity protection diode
	Damping diode
Output resistor	approx. 22 k $\Omega$ (for 3-wire connection)

#### General

Test voltage input/output	2.5 kV AC
Mounting position	any
Standards/regulations	IEC 60664
	IEC 60664 A
	DIN VDE 0110

### Classifications

#### eCl@ss

eCl@ss 4.0	27371102
eCl@ss 4.1	27371102
eCl@ss 5.0	27371001
eCl@ss 5.1	27371001
eCl@ss 6.0	27371001
eCl@ss 7.0	27371001

# Solid-state relays - ST-OE3- 60DC/ 48DC/100 - 2911045

## Classifications

eCl@ss

eCl@ss 8.0	27371001
------------	----------

### ETIM

ETIM 2.0	EC001504
ETIM 3.0	EC001504
ETIM 4.0	EC001504
ETIM 5.0	EC001504

### UNSPSC

UNSPSC 6.01	30211916
UNSPSC 7.0901	39121542
UNSPSC 11	39121542
UNSPSC 12.01	39121542
UNSPSC 13.2	39121542

## Approvals

Approvals

---

Approvals

GOST / GOST

---

Ex Approvals

---

Approvals submitted

---

### Approval details

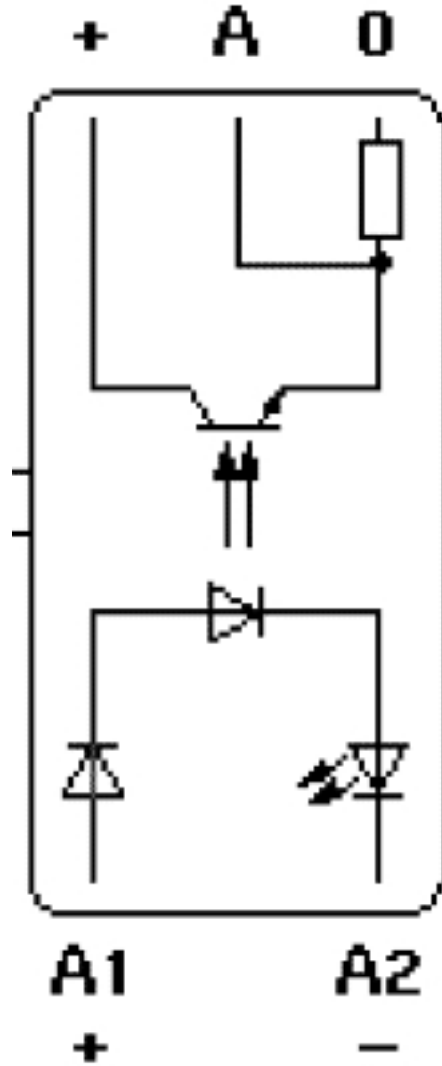
GOST
------

GOST
------

# Solid-state relays - ST-OE3- 60DC/ 48DC/100 - 2911045

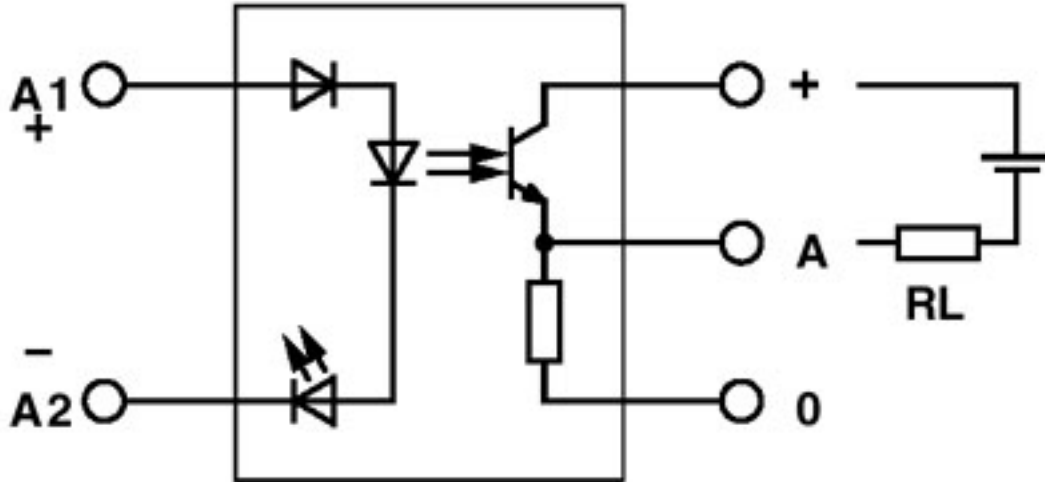
## Drawings

Circuit diagram



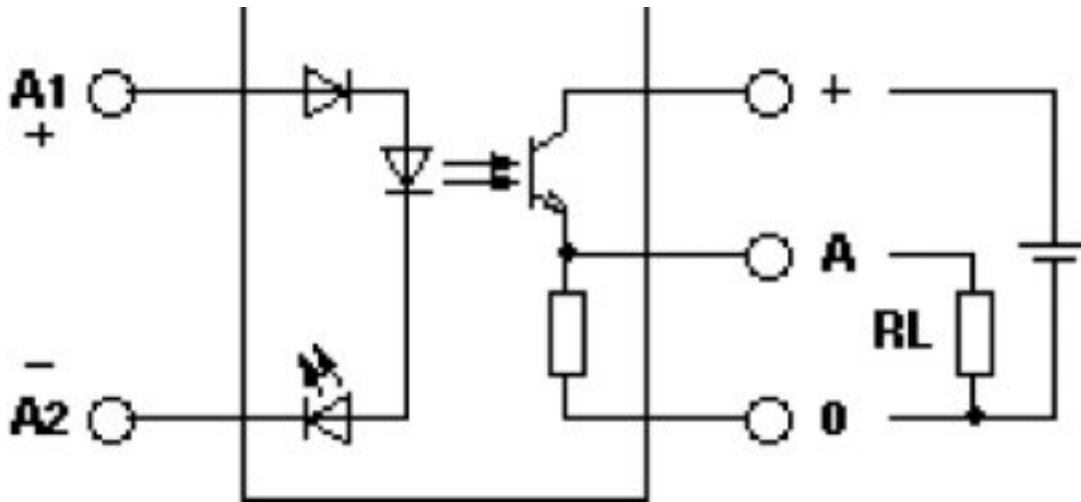
# Solid-state relays - ST-OE3- 60DC/ 48DC/100 - 2911045

Circuit diagram



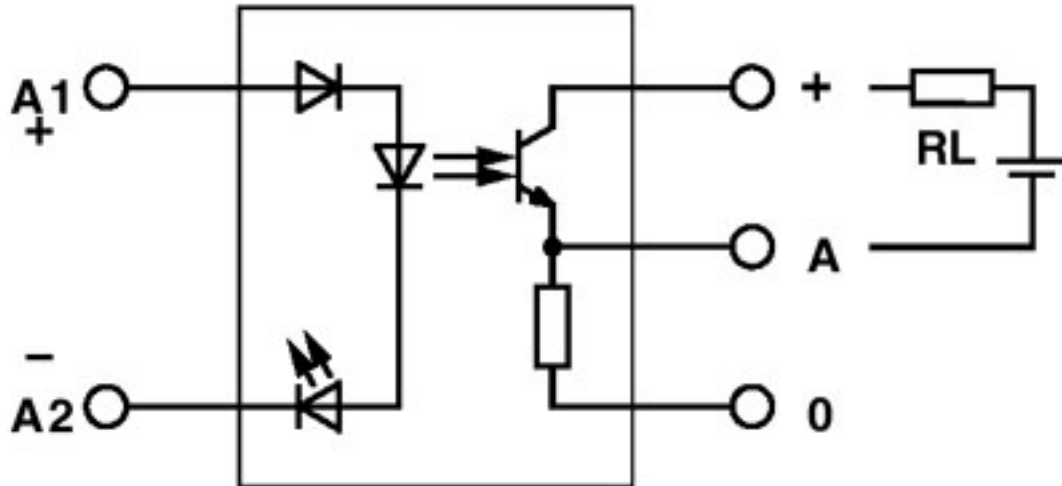
Output: 2-wire, floating, plus switching

Circuit diagram



## Solid-state relays - ST-OE3- 60DC/ 48DC/100 - 2911045

Circuit diagram



Output: 2-wire, floating, minus switching