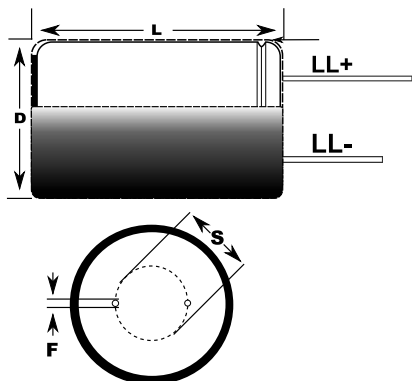


KEMET Part Number: ESG476M250AM5AA
(SG476M250AM5AAPLP)



Capacitor, aluminum, 47 uF, +/-20% Tol, -25/+105C, 250VDC@105° C



Dimensions (mm)		
Symbol	Dimension	Tolerance
D	16	+/-0.5
L	20	+2
S	7.5	+/-0.5
LLPos	20	MIN
LLNeg	15	MIN
F	0.8	

Packaging Specifications	
Package Kind:	Bulk
Package Quantity:	1000

General Information	
Supplier:	KEMET
Part Type Description:	Radial Cylindrical Aluminum Electrolytic
Style:	Radial Cylindrical
Lead Type:	Straight

Specifications	
Capacitance:	47 uF
Tolerance:	+/-20%
Rated Temperature:	105° C
Voltage @ rated temp:	250VDC
VDC Surge:	250VDC
Life @ rated temp:	5000 Hrs
RoHS:	Yes
Low Z/ESR:	Yes
Temperature Range:	-25/+105C
Leakage Current:	715 uA
Leakage Condition:	2min/20c
Dissipation Factor:	15%
Impedance @ 100kHz:	2 Ohm
Impedance Ratio -25C:	3.0
Impedance Ratio -40C:	6.0
Ripple 120Hz @ rated temp:	0.275 A
Ripple 100kHz @ rated temp:	0.44 A

Statements of suitability for certain applications are based on our knowledge of typical operating conditions for such applications, but are not intended to constitute - and we specifically disclaim - any warranty concerning suitability for a specific customer application or use. This Information is intended for use only by customers who have the requisite experience and capability to determine the correct products for their application. Any technical advice inferred from this Information or otherwise provided by us with reference to the use of our products is given gratis, and we assume no obligation or liability for the advice given or results obtained.



© 2006-2013 IntelliData.net