

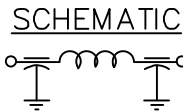
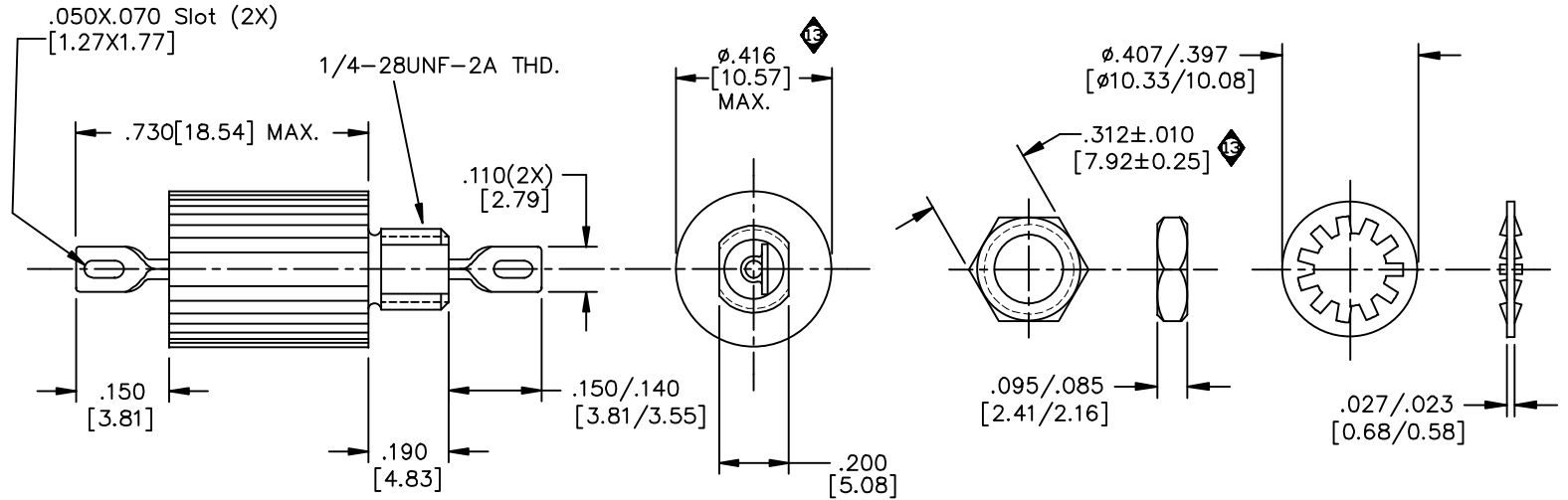
CASE FINISH	CURRENT (AMPS)	WORKING VOLTAGE				MAXIMUM DC RESISTANCE (OHMS)	MAXIMUM VOLTAGE DROP		MINIMUM CAPACITANCE (uF)	MIN. INSERTION LOSS PER MIL-STD-220, FULL LOAD, +25°C												
		-55°C TO +85°C		-55°C TO +125°C			DC	AC		15 KHz	30 KHz	50 KHz	75 KHz	100 KHz	150 KHz	300 KHz	500 KHz	1 MHz	10 MHz	100 MHz	1 GHz	10 GHz
		AC	DC	AC	DC																	
SOLDER	2.0	---	80	---	50	0.07	0.14	---	2.8	---	---	---	---	33	46	65	76	80	80	---	80	---

**PART MARKING:**

M15733/23 0054  
 OLSP2 DATECODE  
 50VDC 2.0A 125C  
 51-390-318

**PACKAGE MARKING:**

STANDARD



MTG. HARDWARE

**MARKING NOTES:**

N/A

**NOTES:**

1) MOUNTING TORQUE NOT TO EXCEED 7in-lbs.

													CN 64684-ENG 13	12	REV. NO.	UNLESS OTHERWISE SPECIFIED DIMENSIONS ARE IN INCHES. [MILLIMETERS] DO NOT SCALE.	TOLERANCES UNLESS OTHERWISE SPECIFIED Fractions ± Dec. .xx± Dec. .xxx±.010 Angles ±0° 30'	api technologies corp. FAIRVIEW PENNSYLVANIA	
													CHANGE NOTICE					Dwn. KAUFFMAN	Description Low Pass EMI Filter
																		Date 7-9-97	
																		CODE IDENT. NO. OLSP2	Sheet 1 of 1

Quality Products From The Specialists In Electro-Magnetic Compatibility