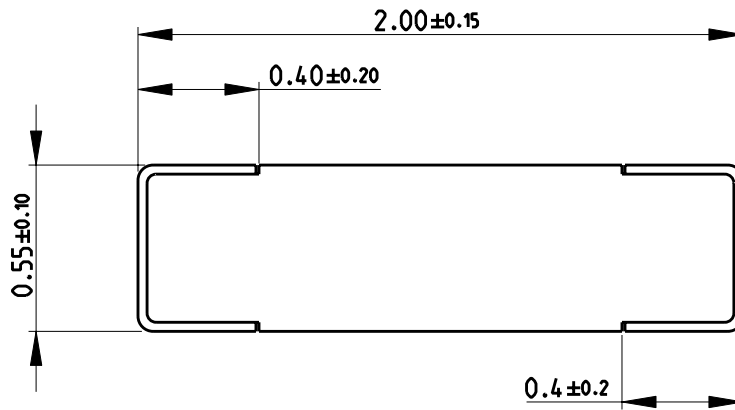
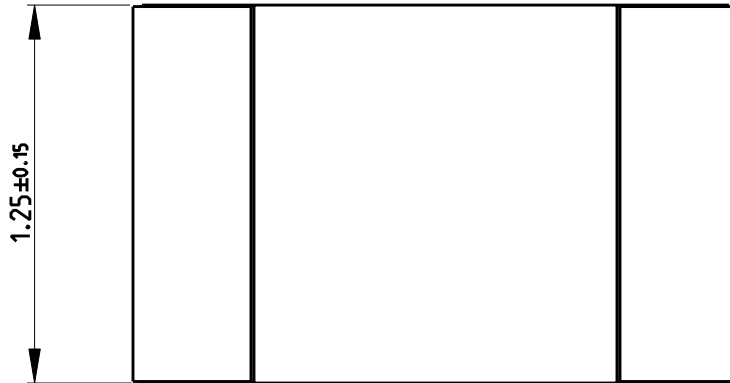
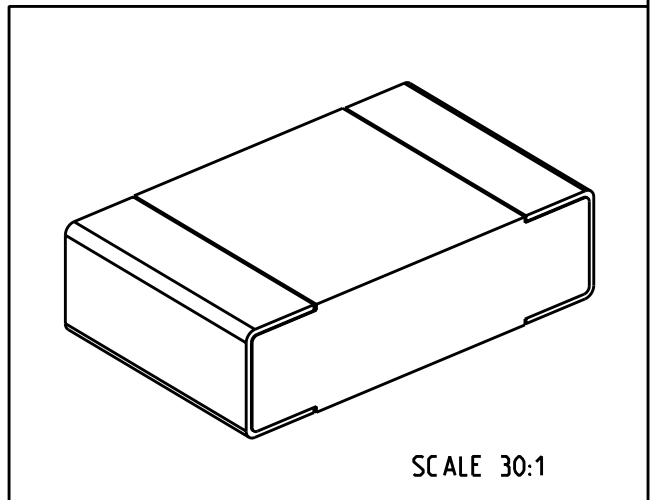


LOC	DIST	REVISIONS					
E	B	P	LTR	DESCRIPTION	DATE	DWN	APVD
			BA	NEW RELEASE	08-JAN-09	SM	SI.P

FOR FURTHER INFORMATION SEE DATA SHEET FOR
CRG SERIES-THICK FILM CHIP RESISTORS



RoHS Compliant



SCALE 30:1

2009

RELEASED FOR PUBLICATION

THIS DRAWING IS UNPUBLISHED.

BY TYCO ELECTRONICS CORPORATION. ALL RIGHTS RESERVED.

© COPYRIGHT 2009

DIMENSIONS: mm	DWN SUBHASH.M	08-JAN-09	MATERIAL	-	FINISH	-		
	CHK PRAKASH.S	08-JAN-09	Tyco Electronics Corporation Dorcan, Swindon, SN3 5HH					
TOLERANCES UNLESS OTHERWISE SPECIFIED:	APVD STEPHEN.P	08-JAN-09						
0 PLC ±0.5	PRODUCT SPEC	-	NAME THICK FILM CHIP RESISTORS SERIES CRG 0805					
1 PLC ±0.2	APPLICATION SPEC	-						
2 PLC ±0.1	WEIGHT	-	SIZE	A 4	CAGE CODE	00779		
3 PLC ±-			DRAWING NO	C- 1623204		RESTRICTED TO	-	
4 PLC ±-								
ANGLES ±5°								
	CUSTOMER DRAWING		SCALE	40:1	SHEET	1 OF 1	REV	BA