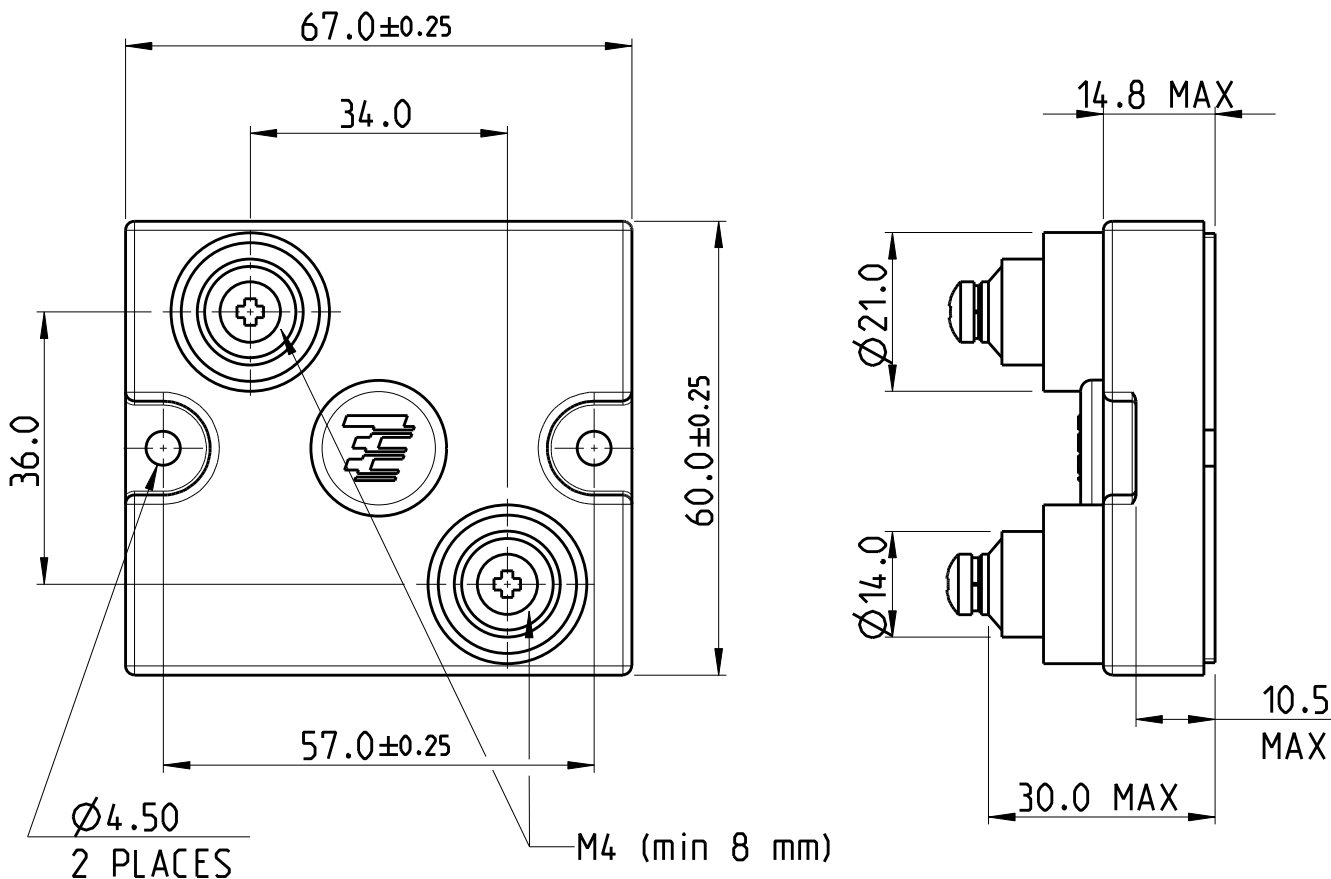


LOC	DIST	REVISIONS					
AI	-	P	LTR	DESCRIPTION	DATE	DWN	APVD
		A		NEW DRAWING	23FEB2012	DMS	ST.P



NOTE:

FOR FURTHER INFORMATION PLEASE SEE BDS 250 / 400 SERIES DATASHEET


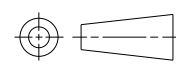
2011

RELEASED FOR PUBLICATION

ALL RIGHTS RESERVED.

THIS DRAWING IS UNPUBLISHED.

© COPYRIGHT 2011

DIMENSIONS:		DWN	23FEB2012	MATERIAL	FINISH	
mm		DARSHAN MS		-	-	
TOLERANCES UNLESS OTHERWISE SPECIFIED:		CHK	23FEB2012	 TE Connectivity		
0 PLC ±		ALLAN P				
1 PLC ±±		APVD	23FEB2012	NAME THICK FILM POWER RESISTOR BDS 400 SERIES		
2 PLC ±±±		STEPHEN.P				
3 PLC ±±±±		PRODUCT SPEC	-	SIZE	CAGE CODE	DRAWING NO
4 PLC ±±±±±		APPLICATION SPEC	-	A 4	00779	C-1879563
ANGLES ±°		WEIGHT	185.29 Gram	RESTRICTED TO		-
		CUSTOMER DRAWING		SCALE	SHEET	REV
				1:1	1 OF 1	A