

Square Body DC Fuses — 4000Vdc: 20-450A

4000Vdc 20-450A

Specifications

Description: High speed fuses for the protection of DC circuits in equipment.

Dimensions: See dimensions illustration.

Ratings:

Volts: — 4000Vdc

Amps: — 20-450A

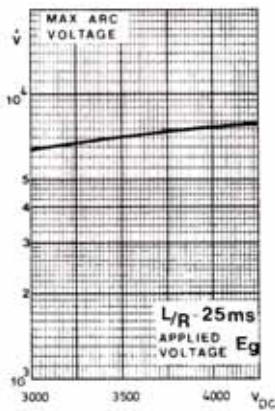
IR: — 60kA L/R: 25 ms.

Agency Information: Consult Cooper Bussmann.

Electrical Characteristics

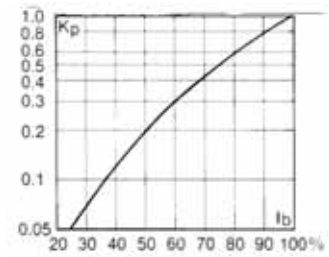
Arc Voltage

This curve gives the peak arc voltage, U_L , which may appear across the fuse during its operation as a function of the applied working voltage E_g .



Power Losses

Watts loss at rated current is given in the electrical characteristics. The curve allows the calculation of the power losses at load currents lower than the rated current. The correction factor, K_p , is given as a function of the RMS load current, I_b , in % of the rated current.



Features and Benefits

- Excellent DC performance
- Low arc voltage and low energy let-through (I^2t)
- Low watts loss
- Superior cycling capability

Typical Applications

- DC common bus
- DC drives
- Power converters/rectifiers
- Reduced voltage starters

Catalog Numbers

Fuse Type	Cat. Numbers		Electrical Characteristics	
	-SKN/394 Type K Indicator	Rated Voltage (Vdc)	Rated Current RMS-Amp	Watts Loss (W)
1*SKN/394	170E3914	4000	20	23
	170E3915		25	28
	170E3916		32	34
	170E3917		40	45
	170E3918		50	57
	170E3919		63	72
	170E3984		80	91
	170E3922		125	143
2 SKN/394	170E8882	4000	160	182
	170E8883		200	228
	170E8884		250	285
2//2SKN/394	170E8885	4000	315	360
	170E8886		350	400
	170E8887		400	455
	170E8888		450	515

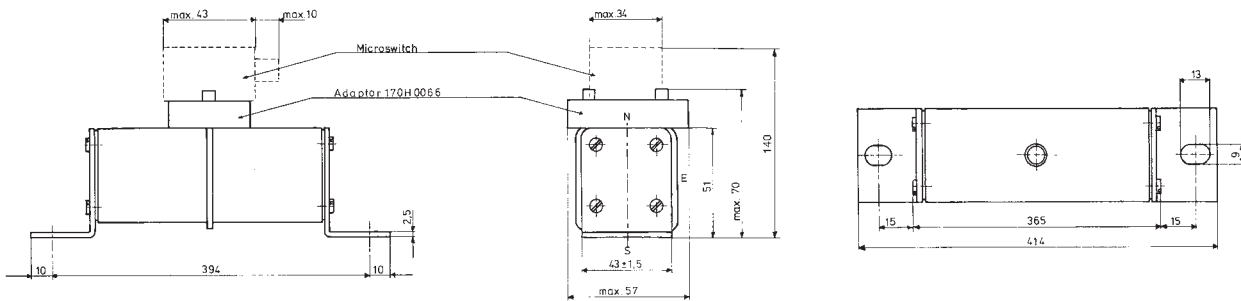
DC Fuses — 4000Vdc: 20-450A

DC Fuses

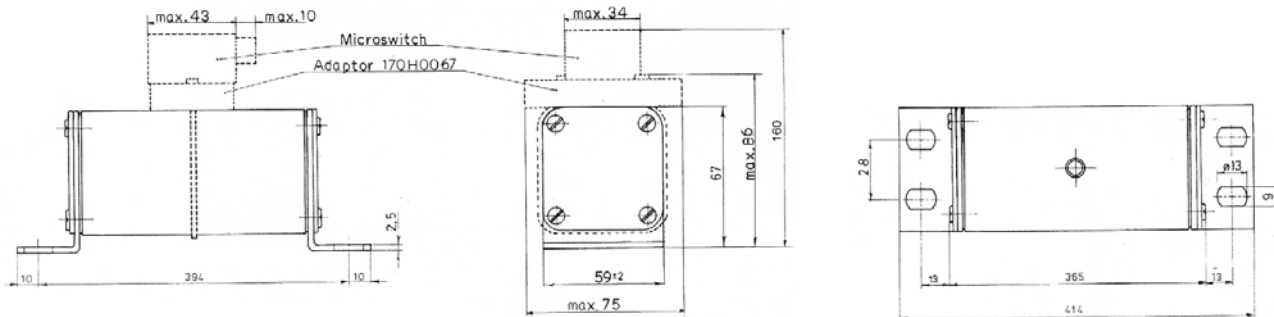
4000Vdc / 20 - 450A

Dimensions (mm):

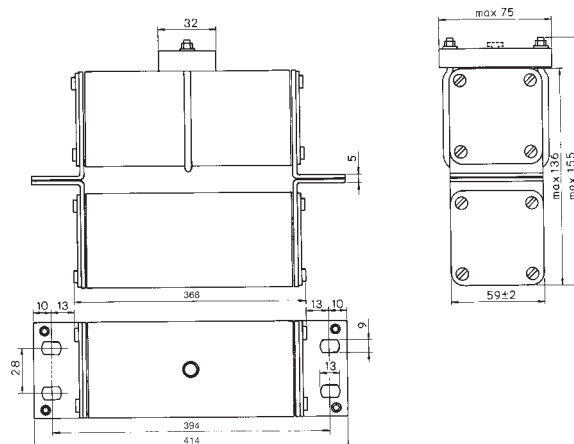
Type 1*SKN/394



Type 2SKN/394



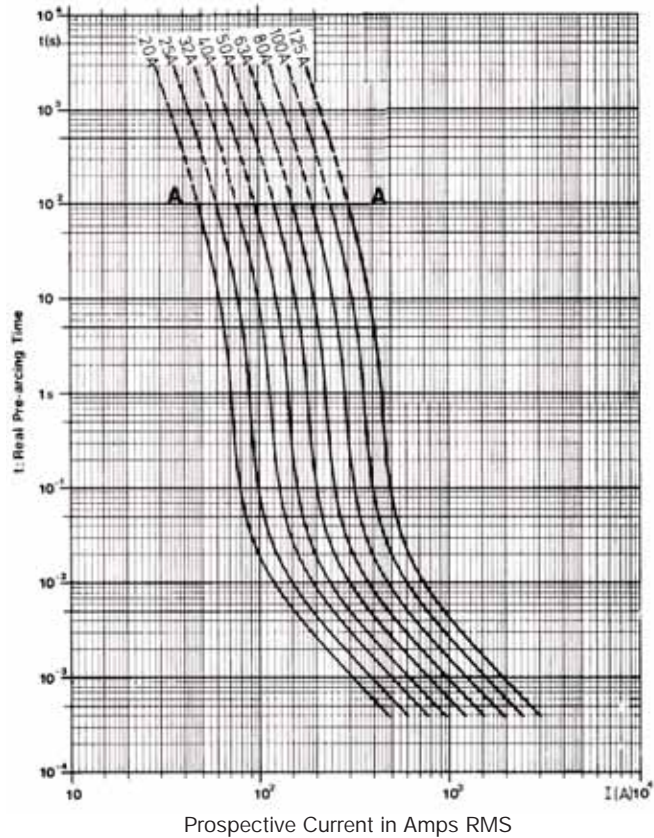
Type 2//SKN/394



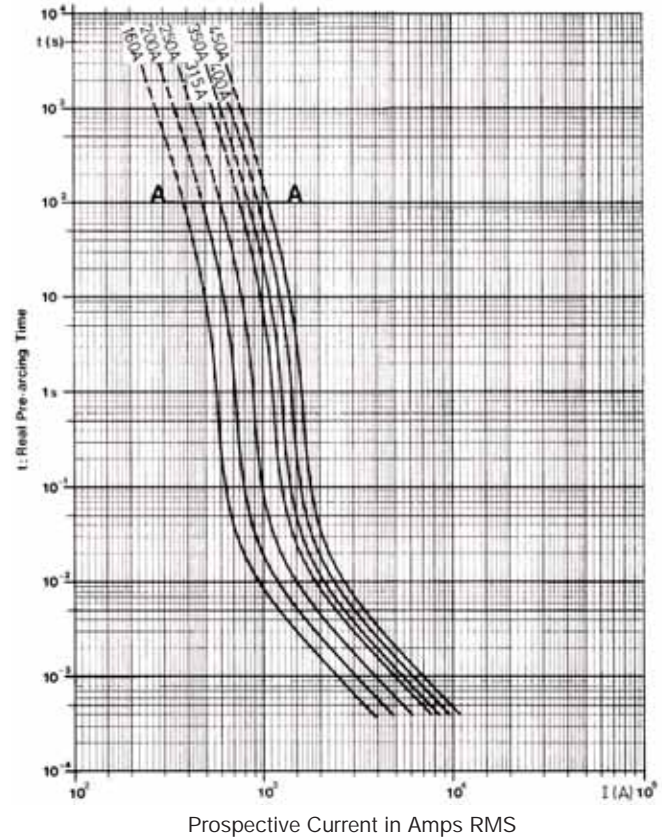
High Speed
Fuses

Square Body DC Fuses — 4000Vdc: 20-450A

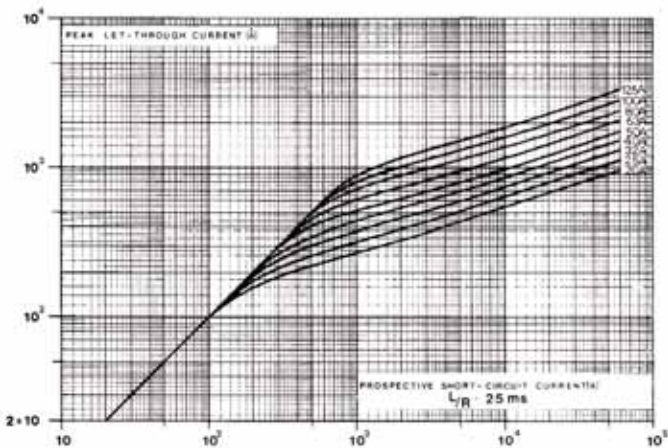
Square Body DC Fuses — 20-125A: 2000V
Time-Current Curve



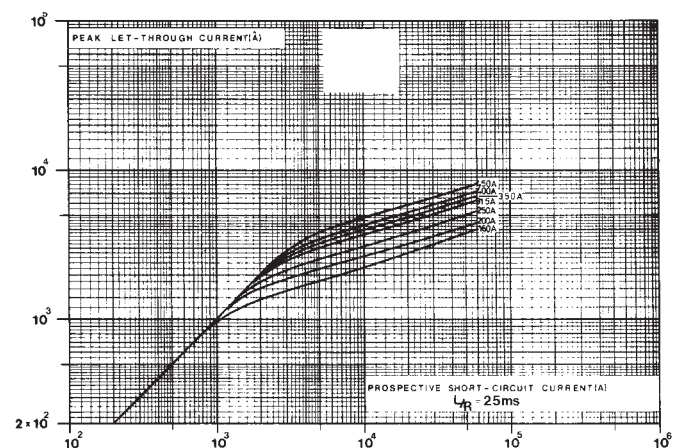
Square Body DC Fuses — 160-450A: 4000V
Time-Current Curve



Peak Let-Through Curve



Peak Let-Through Curve



Data Sheet: Available upon request

Data Sheet: Available upon request