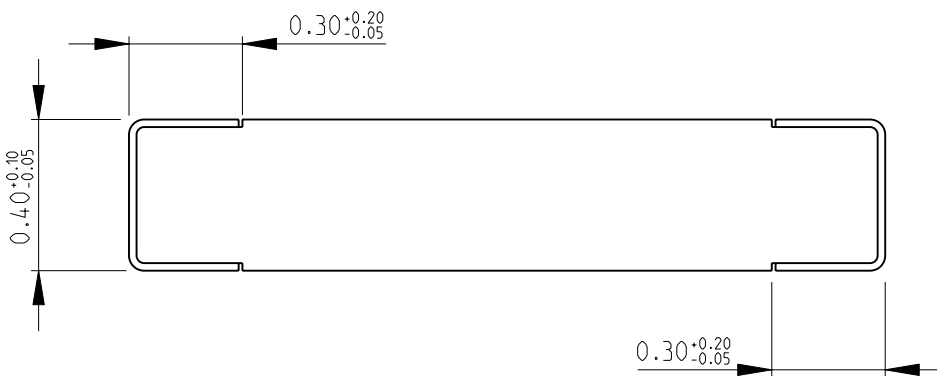
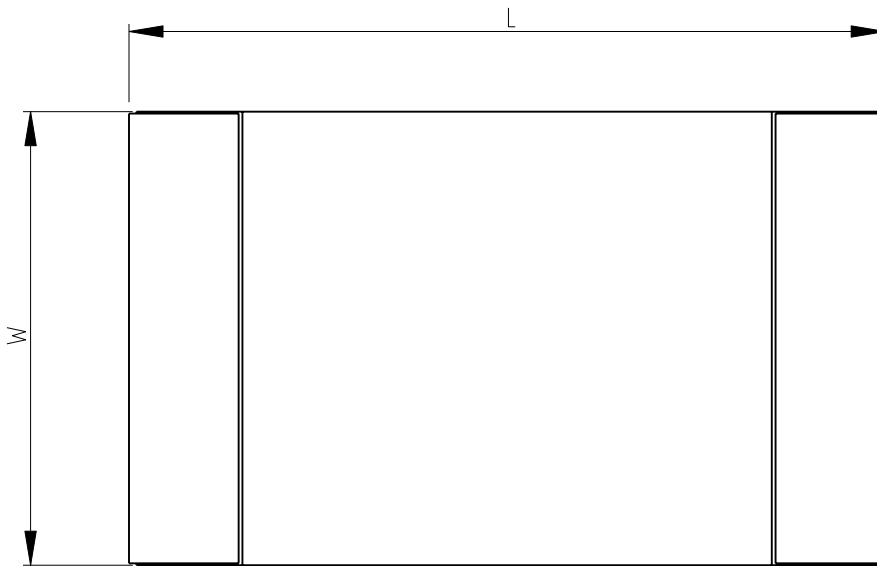


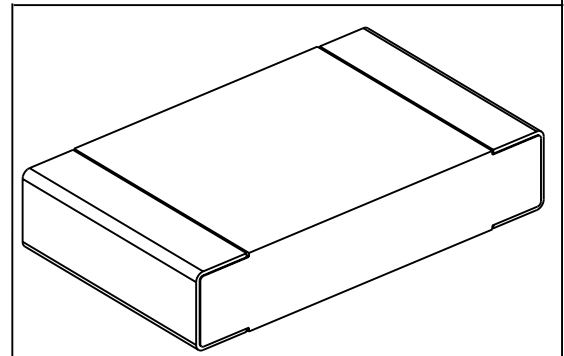
LOC	DIST	REVISIONS					
E	B	P	LTR	DESCRIPTION	DATE	DWN	APVD
			BA	NEW RELEASE	15SEP2010	PT	St.P

FOR FURTHER INFORMATION SEE DATA SHEET FOR  
RH73 SERIES-SMD HIGH VALUE RESISTORS



RoHS Compliant

STYLE	L	W
RH73 2A	2 $^{+0.15}_{-0.05}$	1.2 $^{+0.20}_{-0.05}$
RH73 2B	3.2 $^{+0.15}_{-0.05}$	1.5 $^{+0.20}_{-0.05}$



2008

RELEASED FOR PUBLICATION

THIS DRAWING IS UNPUBLISHED.

BY TYCO ELECTRONICS CORPORATION. ALL RIGHTS RESERVED.

DIMENSIONS: mm	DWN PARUSURAM T	15SEP2010	MATERIAL	-	FINISH	-
	CHK ALLAN.P	15SEP2010	Tyco Electronics Corporation Dorcan, Swindon, SN3 5HH			
TOLERANCES UNLESS OTHERWISE SPECIFIED:	APVD STEPHEN.P	15SEP2010				
0 PLC $\pm 0.2$	PRODUCT SPEC	-	NAME SMD HIGH VALUE RESISTORS SERIES RH73			
1 PLC $\pm 0.1$	APPLICATION SPEC	-				
2 PLC $\pm$	WEIGHT	-	SIZE	A 4	CAGE CODE	C= 1625862
3 PLC $\pm$			DRAWING NO			RESTRICTED TO
4 PLC $\pm$						
ANGLES $\pm 5^\circ$						
	CUSTOMER DRAWING		SCALE	50:1	SHEET	1 OF 1
					REV BA	