

CGA4J2X7R2A223K125AA

TDK Item Description : CGA4J2X7R2A223KT***



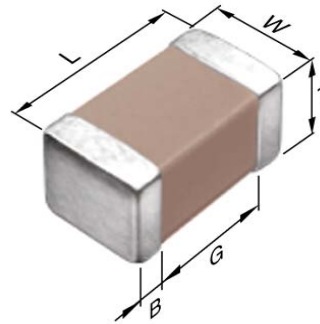
Equivalent C2012X7R2A223K for Automotive

Application & Main Feature

Automotive Grade (Mid Voltage (100 to 630V))

Series

CGA4(2012) [EIA CC0805]



Dimensions

- L 2.00mm +/-0.2mm
- W 1.25mm +/-0.2mm
- T 1.25mm +/-0.2mm
- B 0.20mm Min.
- G 0.50mm Min.

Temperature Characteristic

X7R (-55 to 125 degC +/-15%)

Rated Voltage

2A (100Vdc)

Capacitance

22nF

Capacitance Tolerance

K (+/-10%)

Dissipation Factor

3% Max.

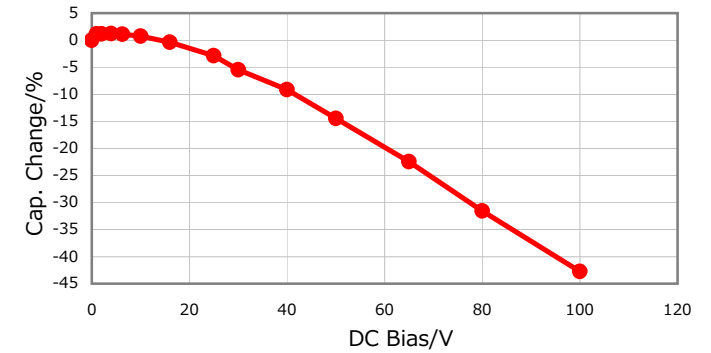
Insulation Resistance

10Gohm Min.

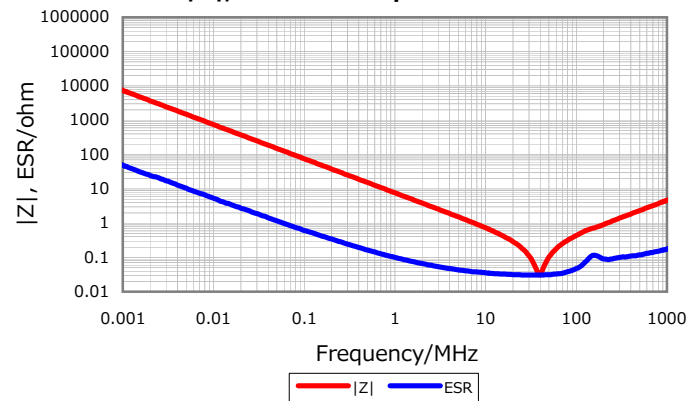
AEC-Q200

Yes

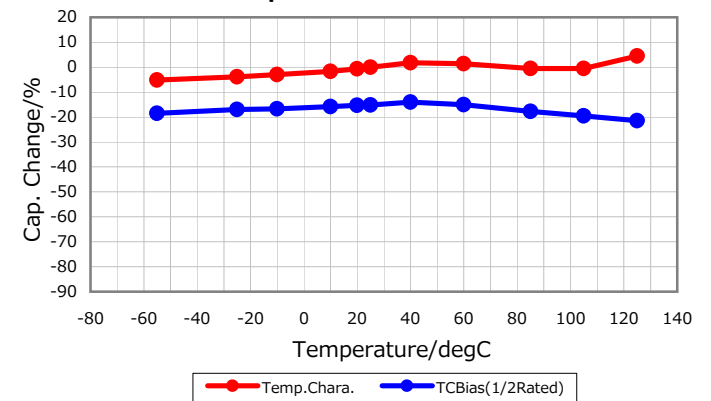
DC Bias Characteristic



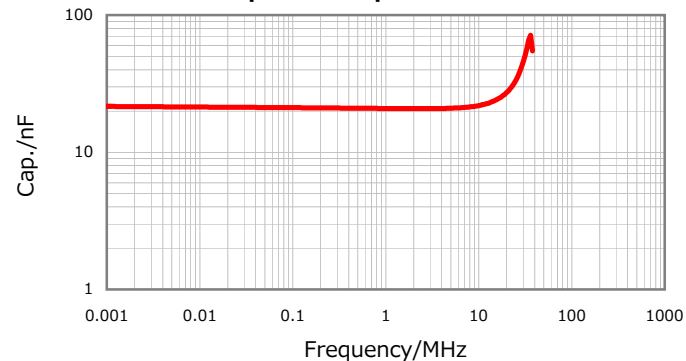
|Z|, ESR vs. Freq. Characteristics



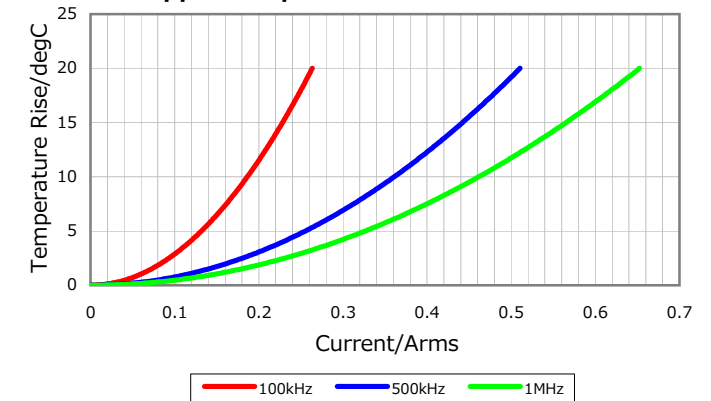
Temperature Characteristics



Cap. vs. Freq. Characteristic



Ripple Temperature Rise Characteristics



Characterization Sheet (Multilayer Ceramic Chip Capacitors)



All specifications are subject to change without notice.

January 4, 2016