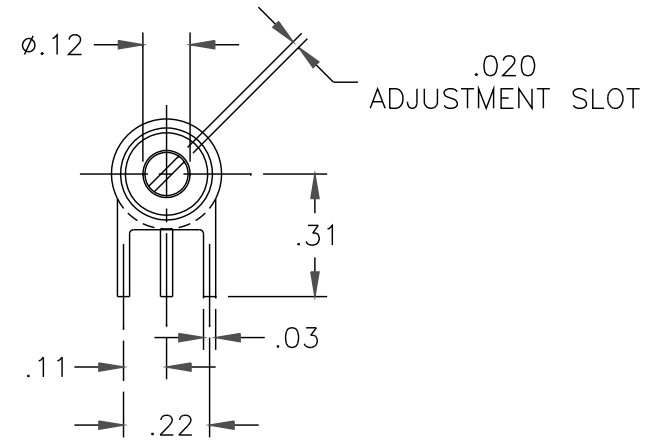
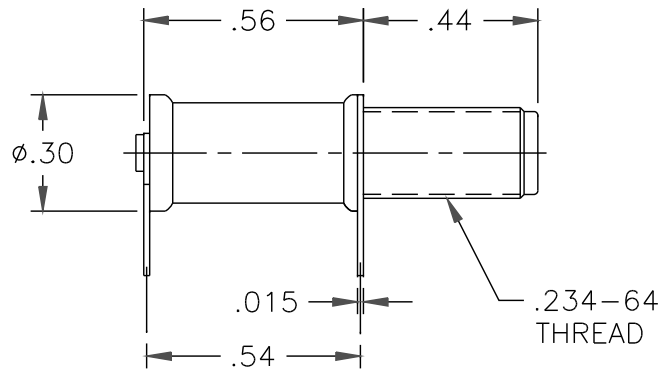


DATE	SYM	REVISION	RECORD	AUTH	DR	CK



NOTES:

1. CAPACITANCE RANGE, pF: 1.5 TO 55.0
2. DC WORKING VOLTAGE AT 55.0 pF: 600
3. DC WITHSTANDING VOLTAGE AT 55.0 pF: 1200
4. Q FACTOR AT 100 MHz AND 55.0 pF: 780 MIN.
5. INSULATION RESISTANCE:  $10^6$  MEGOHMS AT 25°C
6. TEMPERATURE COEFFICIENT:  $0 \pm 100$  PPM/°C
7. OPERATING TEMPERATURE: -65°C TO +125°C
8. TUNING TORQUE: 0.5 TO 5.0 IN-OZ
9. ROTATIONAL LIFE: 600 TURNS
10. VIBRATION: 50g AT 10-2000 Hz
11. SHOCK: 1500g, 0.5 MILLISECS.
12. SEAL: 40 PSI

TOLERANCES (EXCEPT AS NOTED)	VOLTRONICS CORPORATION 100 FORD RD. DENVER N.J.		
DECIMAL XXX $\pm .005$ XX $\pm .016$	SCALE 2 : 1	DRAWN BY A.SHTABNAYA	
FRACTIONAL -	TITLE OUTLINE DWG. AP55HV	APPROVED BY A.GOLDBERG	
ANGULAR -	DATE 8/20/09	DRAWING NUMBER 70,586	