



SANYO Semiconductors

# DATA SHEET

Monolithic Linear IC

An ON Semiconductor Company

# LA5779MP

## Separately-excited Step-down Switching Regulator (Variable Type)

### Overview

The LA5779MP is a Separately-excited step-down switching regulator (variable type).

### Functions

- High efficiency.
- Six external parts.
- Time-base generator (160kHz) incorporated.
- Current limiter incorporated.
- Thermal shutdown circuit incorporated.
- ON/OFF function.

### Specifications

#### Absolute Maximum Ratings at $T_a = 25^\circ\text{C}$

Parameter	Symbol	Conditions	Ratings	Unit
Maximum Input voltage	$V_{IN\ max}$		30	V
Maximum Output current	$I_O\ max$		3	A
SW pin application reverse voltage	$V_{SW}$		-1	V
Allowable power dissipation	$P_d\ max$	Mounted on a substrate.*	3.9	W
Operating temperature	$T_{opr}$		-30 to +125	$^\circ\text{C}$
Storage temperature	$T_{stg}$		-40 to +150	$^\circ\text{C}$

\* Specified substrate :  $76.1 \times 114.3 \times 1.6\text{mm}^3$  : Copper foil ratio 60% FR4

#### Recommended Operating Conditions at $T_a = 25^\circ\text{C}$

Parameter	Symbol	Conditions	Ratings	Unit
Input voltage range	$V_{IN}$		4.5 to 28	V

■ Any and all SANYO Semiconductor products described or contained herein do not have specifications that can handle applications that require extremely high levels of reliability, such as life-support systems, aircraft's control systems, or other applications whose failure can be reasonably expected to result in serious physical and/or material damage. Consult with your SANYO Semiconductor representative nearest you before using any SANYO Semiconductor products described or contained herein in such applications.

■ SANYO Semiconductor assumes no responsibility for equipment failures that result from using products at values that exceed, even momentarily, rated values (such as maximum ratings, operating condition ranges, or other parameters) listed in products specifications of any and all SANYO Semiconductor products described or contained herein.

**SANYO Semiconductor Co., Ltd.**

TOKYO OFFICE Tokyo Bldg., 1-10, 1 Chome, Ueno, Taito-ku, TOKYO, 110-8534 JAPAN

# LA5779MP

**Electrical Characteristics** at  $T_a = 25^\circ\text{C}$ ,  $V_O = 3.3\text{V}$

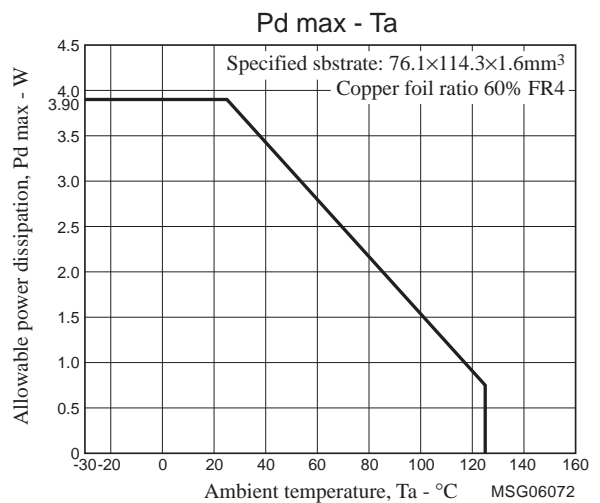
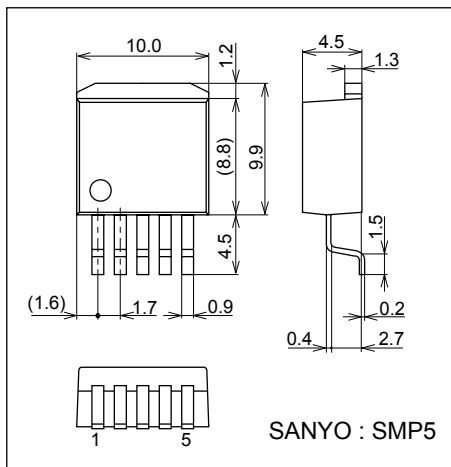
Parameter	Symbol	Conditions	Ratings			Unit
			min	typ	max	
Reference voltage	$V_{OS}$	$V_{IN} = 15\text{V}$ , $I_O = 1.0\text{A}$	1.20	1.23	1.26	V
Efficiency	$\eta$	$V_{IN} = 15\text{V}$ , $I_O = 1.0\text{A}$ , Set $V_O = 5\text{V}$		84		%
Switching frequency	f	$V_{IN} = 15\text{V}$ , $I_O = 1.0\text{A}$	128	160	192	kHz
Switching frequency when short-circuit protection is active	fshort	$V_{IN} = 15\text{V}$ , $V_{OS} = 0\text{V}$	15	30	45	kHz
Line regulation	$\Delta V_{OLINE}$	$V_{IN} = 8$ to $20\text{V}$ , $I_O = 1.0\text{A}$		40	100	mV
Load regulation	$\Delta V_{OLOAD}$	$V_{IN} = 15\text{V}$ , $I_O = 0.5$ to $1.5\text{A}$		10	30	mV
Output voltage temperature coefficient	$\Delta V_O/\Delta T_a$	Designed target value. *		$\pm 0.5$		mV/°C
Ripple attenuation factor	RREJ	f = 100 to 120Hz		45		dB
Output leak current	$I_{Oleak}$	$V_{IN} = 15\text{V}$ , $SW_{OUT} = -0.4\text{V}$			50	$\mu\text{A}$
Current limiter operating voltage	$I_S$	$V_{IN} = 15\text{V}$	3.1			A
Operating current	$I_{VIN}$	$V_{IN} = 15\text{V}$		5.6		mA
Standby current	$I_{STBY}$	$V_{IN} = 15\text{V}$ , $ENA = 5\text{V}$		50	100	$\mu\text{A}$
ENA pin LOW voltage range	$V_{ENAL}$				0.6	V
ENA pin HIGH voltage range	$V_{ENAH}$		2.4		$V_{IN}$	V
Thermal shutdown operating temperature	TSD	Designed target value. *		165		°C
Thermal shutdown Hysteresis width	$\Delta TSD$	Designed target value. *		15		°C

\* Design target value: No measurement made.

## Package Dimensions

unit : mm (typ)

3275

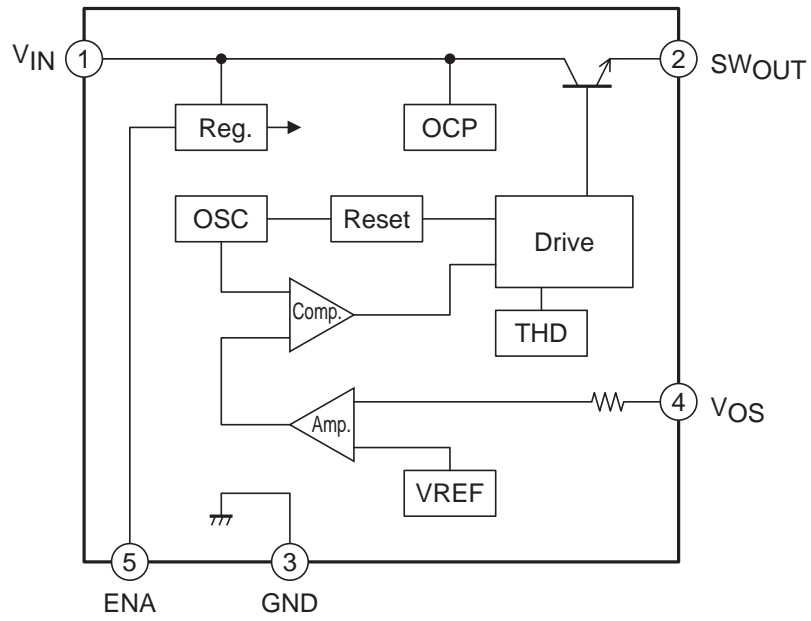


## Pin Assignment

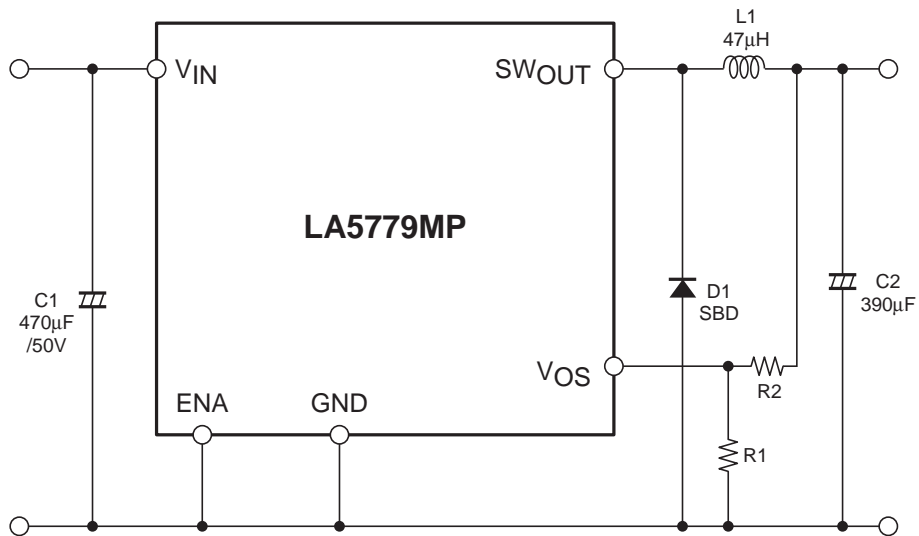
(1)  $V_{IN}$  (2)  $SW_{OUT}$  (3) GND (4)  $V_{OS}$  (5) ENA

# LA5779MP

## Block Diagram



## Application Circuit Example



## Description of Functional Settings

Calculation equation to set the output voltage

This IC controls the switching output so that the V<sub>OS</sub> pin voltage becomes 1.23V (typ).

The equation to set the output voltage is as follows:

$$V_O = \left(1 + \frac{R_2}{R_1}\right) \times 1.23V(\text{typ})$$

The V<sub>OS</sub> pin has the inrush current of 1μA (typ). Therefore, the error becomes larger when R1 and R2 resistance values are large.

- Specifications of any and all SANYO Semiconductor products described or contained herein stipulate the performance, characteristics, and functions of the described products in the independent state, and are not guarantees of the performance, characteristics, and functions of the described products as mounted in the customer's products or equipment. To verify symptoms and states that cannot be evaluated in an independent device, the customer should always evaluate and test devices mounted in the customer's products or equipment.
- SANYO Semiconductor Co., Ltd. strives to supply high-quality high-reliability products. However, any and all semiconductor products fail with some probability. It is possible that these probabilistic failures could give rise to accidents or events that could endanger human lives, that could give rise to smoke or fire, or that could cause damage to other property. When designing equipment, adopt safety measures so that these kinds of accidents or events cannot occur. Such measures include but are not limited to protective circuits and error prevention circuits for safe design, redundant design, and structural design.
- In the event that any or all SANYO Semiconductor products (including technical data, services) described or contained herein are controlled under any of applicable local export control laws and regulations, such products must not be exported without obtaining the export license from the authorities concerned in accordance with the above law.
- No part of this publication may be reproduced or transmitted in any form or by any means, electronic or mechanical, including photocopying and recording, or any information storage or retrieval system, or otherwise, without the prior written permission of SANYO Semiconductor Co., Ltd.
- Any and all information described or contained herein are subject to change without notice due to product/technology improvement, etc. When designing equipment, refer to the "Delivery Specification" for the SANYO Semiconductor product that you intend to use.
- Information (including circuit diagrams and circuit parameters) herein is for example only; it is not guaranteed for volume production. SANYO Semiconductor believes information herein is accurate and reliable, but no guarantees are made or implied regarding its use or any infringements of intellectual property rights or other rights of third parties.

This catalog provides information as of November, 2006. Specifications and information herein are subject to change without notice.