

CKCM25JB1H222M060AA

TDK Item Description : CKCM25JB1H222MT****

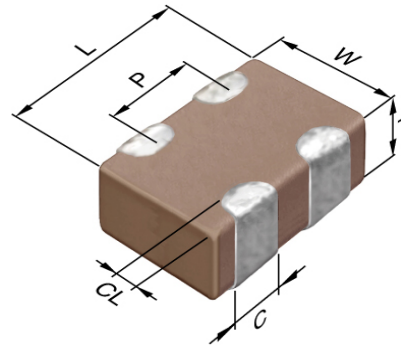


Application & Main Feature

Commercial Grade (2 in 1 Array)

Series

CKCM25



Dimensions

L	1.37mm +/-0.15mm
W	1.00mm +/-0.15mm
T	0.60mm +/-0.1mm
C	0.36mm Nom.
P	0.64mm Nom.

Temperature Characteristic

JB (-25 to 85 degC +/-10%)

Rated Voltage

1H (50Vdc)

Capacitance

2.2nF

Capacitance Tolerance

M (+/-20%)

Dissipation Factor

2.5% Max.

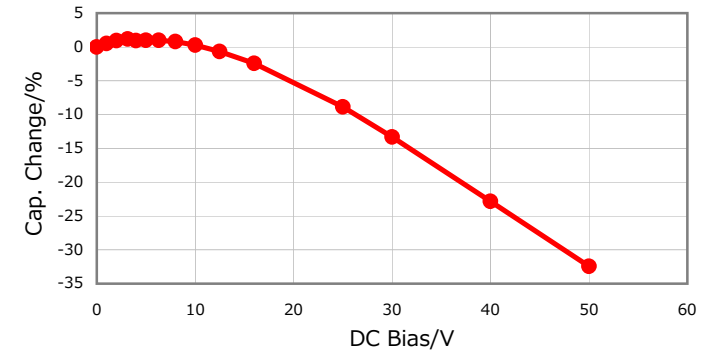
Insulation Resistance

10Gohm Min.

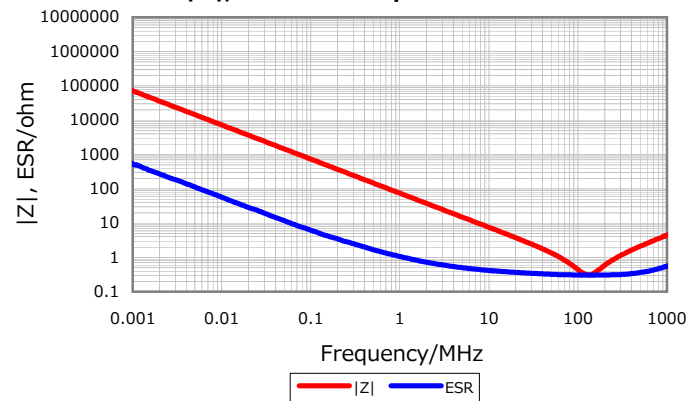
AEC-Q200

Not Applicable

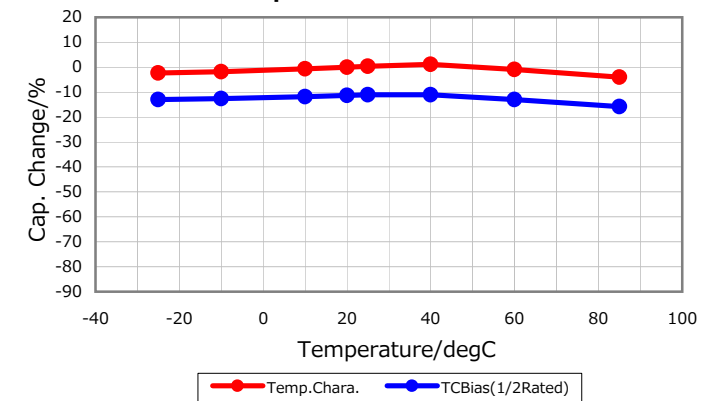
DC Bias Characteristic



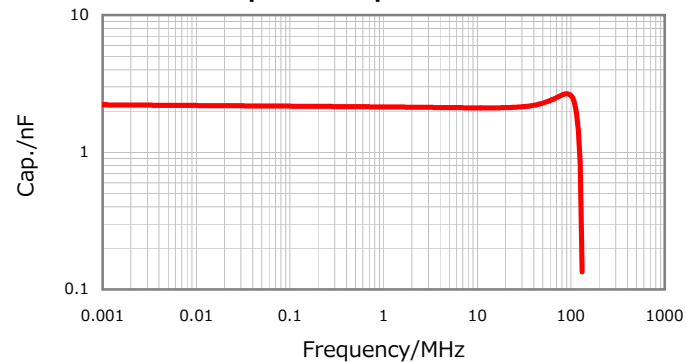
|Z|, ESR vs. Freq. Characteristics



Temperature Characteristics



Cap. vs. Freq. Characteristic



Ripple Temperature Rise Characteristics

