

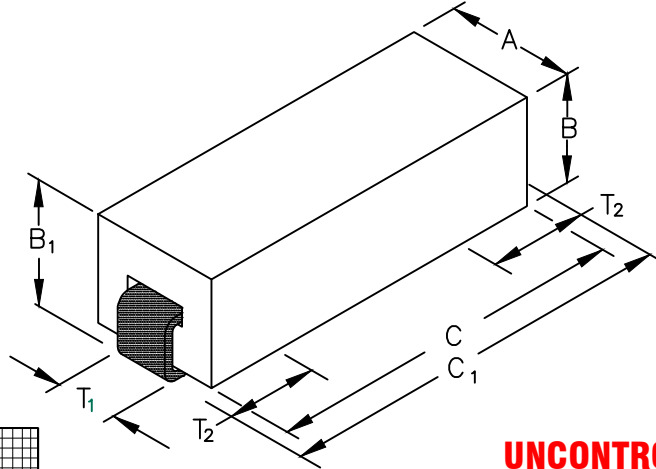
PHYSICAL DIMENSIONS:

- A 3.05 [.120] ± 0.08 [.003]
- B 2.54 [.100] ± 0.08 [.003]
- B₁ 3.05 [.120] ± MAX
- C 8.51 [.335] ± 0.23 [.009]
- C₁ 9.53 [.375] ± MAX

WIRE DIMENSIONS:

- T₁ 1.27 [.050] ± REF.
- T₂ 1.52 [.060] ± 0.51 [.020]

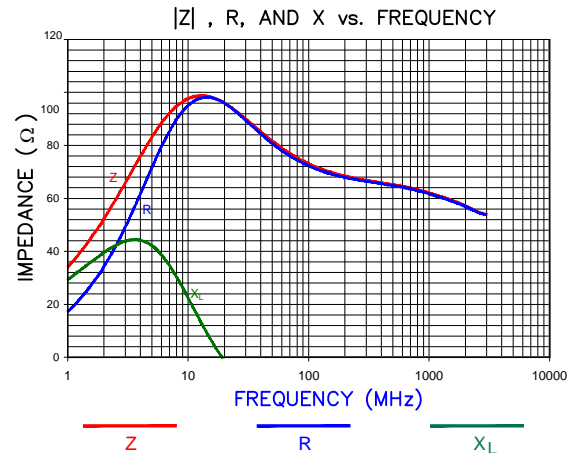
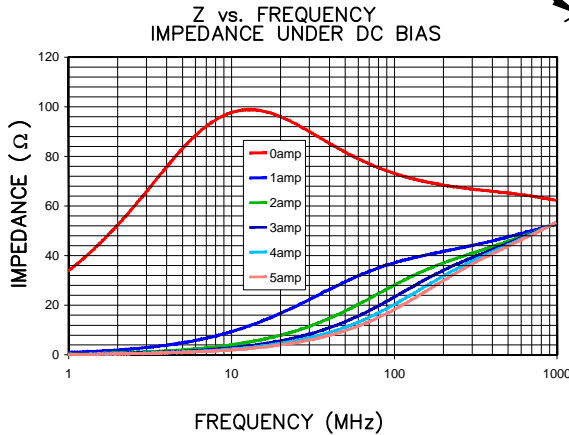
35F0121-1SR-10



| ELECTRICAL CHARACTERISTICS: | | | | |
|-----------------------------|---------|--------|---------|---------------|
| | Z (Ω) @ | | DCR (Ω) | Rated Current |
| | 1 MHz | 10 MHz | | |
| Nominal | - | 90 | | |
| Minimum | 30 | 72 | | |
| Maximum | - | - | .001 | 10,000 mA |

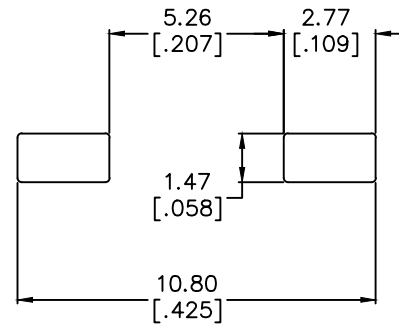
NOTES: UNLESS OTHERWISE SPECIFIED

1. TAPED AND REELED per CURRENT EIA SPECS 13" REELS, 2500 PCS/REEL.
2. COMPONENTS SHOULD BE ADEQUATELY PREHEATED BEFORE SOLDERING.
3. REF. CARRIER TAPE SPECIFICATION # CART121-13.
4. TERMINATION FINISH IS 100% TIN.



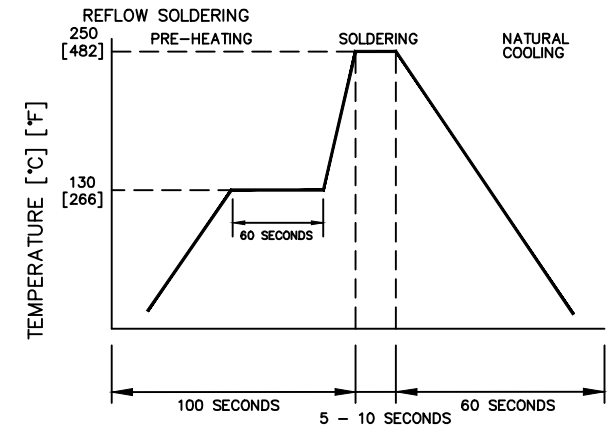
UNCONTROLLED DOCUMENT

LAND PATTERNS FOR REFLOW SOLDERING



(For wave soldering, add 0.762 [.030] to this dimension.)

RECOMMENDED SOLDERING CONDITIONS



| DIMENSIONS ARE IN mm (INCHES). | | | | This print is the property of Laird Tech. and is loaned in confidence subject to return upon request and with the understanding that no copies shall be made without the written consent of Laird Tech. All rights to design or invention are reserved. | | | | |
|--------------------------------|--|----------|-----|---|----------------|------------------|------------------------|------------------|
| F | UPDATE LOGO | 04/23/15 | QIU | | | | | |
| E | UPDATE COMPANY LOGO | 01/23/09 | JRK | | | | | |
| D | CORRECT FREQUENCY ON SHT 2of3 CORRECT C TOLS ON SHEET 3 | 10/16/07 | JRK | | | | | |
| C | UPDATE LANDPATTERN | 08/09/07 | JRK | | | | | |
| B | ADD ROHS SYMBOL UPDATE LOGO | 5/04/07 | JRK | | | | | |
| A | ORIGINAL DRAFT | 5/26/04 | JRK | PROJECT/PART NUMBER: 35F0121-1SR-10 | REV | F | PART TYPE: ASSEMBLY | DRAWN BY: JRK |
| REV | DESCRIPTION | DATE | INT | DATE: 5/26/04 | SCALE: 10:1 | SHEET: 1 OF 2 | | |
| | | | | CAD # | TOOL # | | HO121 | |
| | | | | 35F0121R-1SR-10-F-1 | | | | |